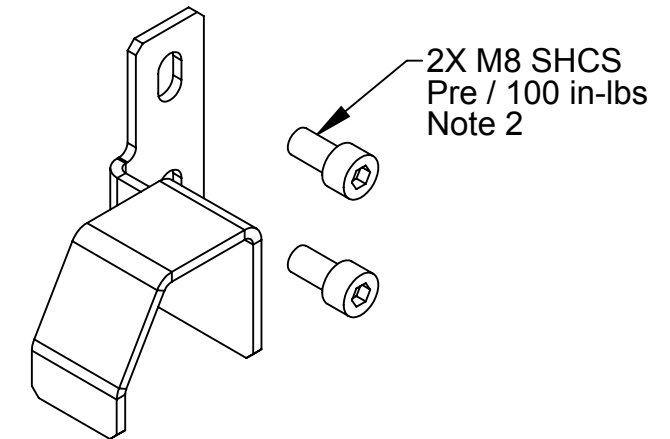
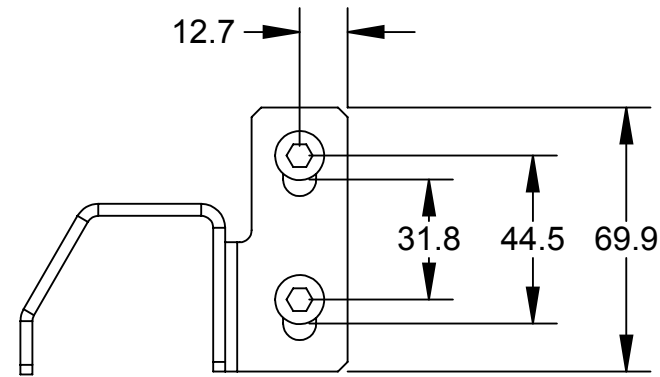
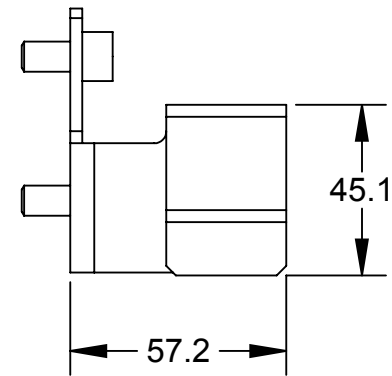
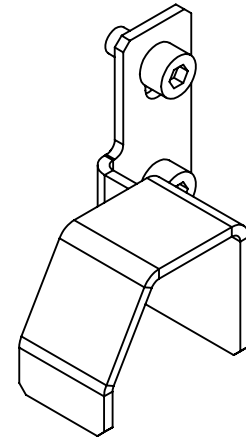
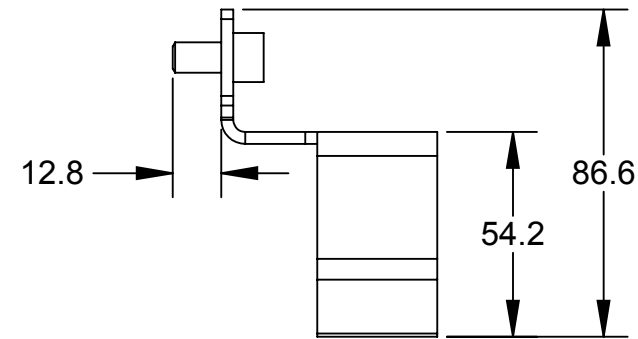


Rev.	Description	Initiator	Date
01	Initial Drawing	JMW	02/26/2014



Notes:

1. Fasteners s hipped loose.
2. Customer in torque pre-applied fasteners to listed torque value.

ITEM NO.	QTY.	PART NUMBER	DESCRIPTION
1	1	9120-TSL-SS-8024	TSL TSI Trip Dog Only for NA2/3 Hooks, Right
NOTES: UNLESS OTHERWISE SPECIFIED. DO NOT SCALE DRAWING. ALL DIMENSIONS ARE IN MILLIMETERS.		 <p>1031 Goodworth Drive, Apex, NC 27539, USA Tel: +1.919.772.0115 Email: info@ati-ia.com Fax: +1.919.772.8259 www.ati-ia.com ISO 9001 Registered Company</p> <p>PROPERTY OF ATI INDUSTRIAL AUTOMATION, INC. NOT TO BE REPRODUCED IN ANY MANNER EXCEPT ON ORDER OR WITH PRIOR WRITTEN AUTHORIZATION OF ATI.</p>	
DRAWN BY: J. Winterroth, 2/26/14 CHECKED BY: D. Norton, 2/27/14		TITLE TSL TSI Tip Dog Only for NA2/3 Hooks, Right	
		SCALE 1:2	SIZE B
PROJECT # - SHEET 1 OF 1		DRAWING NUMBER 9630-20-TSL-SS-8024	REVISION 01